



mobile slow-speed shredders MRW 2.85g

The slow-speed shredders of the Pronar MRW 2.85 series are machines designed with efficiency in mind for operation in medium-sized installations. Thanks to the availability of the hook chassis (meeting the DIN 30722-1 standard), tracked and wheeled chassis, each customer can choose a machine exactly suited to his needs. The hook version is undoubtedly an advantageous purchase price. The wheeled version is perfect for customers who often transport the machine on public roads. The tracked version is undoubtedly easy to move around the yard, while maintaining the dimensions that allow the machine to be easily transported on a low-loader trailer. The 420hp CAT engine in the machine is working with load sensing hydraulics for low fuel consumption. The hook version can be equipped with an electric motor that guarantees low operating costs and enables continuous operation inside the building.

KEY FEATURES & BENEFITS

- | homogeneous size of final fraction
- | various chassis versions
- | quick set-up time
- | electric motor available

APPLICATION

- | wood
- | wood-based materials
- | municipal waste
- | bulky
- | industrial
- | construction waste
- | asphalt
- | tires
- | thin-walled scrap



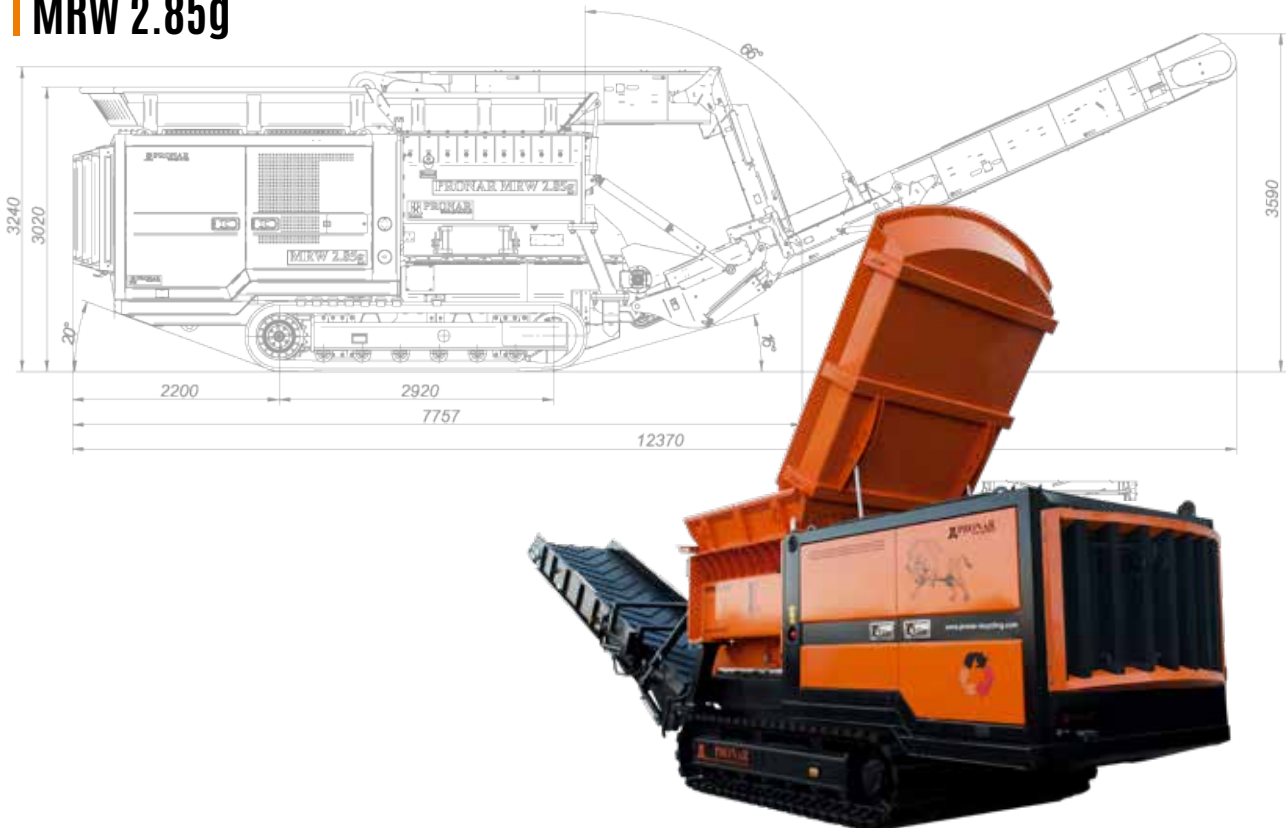
TECHNICAL DATA

MRW 2.85g

Dimensions (length/width/height) [mm]	7757/2550/3240
Weight [kg]	~26380*
Number of shafts	2
Shafts length [mm]	1700
Loading height [mm]	3030
Working chamber dimensions (length/width) [mm]	1720/2340
Hopper capacity [m ³]	~3
Engine	CAT C9.3B, 310 kW, Stage V/Tier 4 Final; CAT C9, 280 kW, Tier 3)

* Weight depends on the specification of the individual piece and may be higher

MRW 2.85g



WE MAKE RECYCLING EASY.

PRONAR Sp. z o.o.

📍 ul. Mickiewicza 101A | 17-210 Narew | Poland

☎ +48 85 682 71 00

